

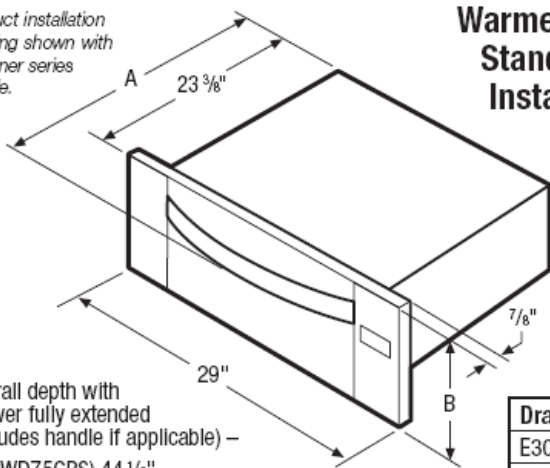
Electrolux

ICON

CAJON CALIENTE DE 30"

MODELO: E30WD75GPS

Product installation drawing shown with designer series handle.



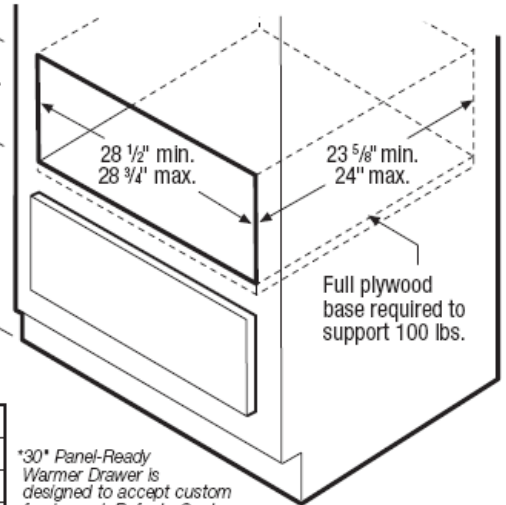
Overall depth with drawer fully extended (includes handle if applicable) –
 (E30WD75GPS) 44 1/8"
 (E30WD75GSS) 44 1/8"
 (E30WD75GTT) 41 1/2"

Warmer Drawer Stand-Alone Installation

Power cord location (right center rear)

9 7/8" min.
10 1/4" max.

4 1/2" min. required distance to floor

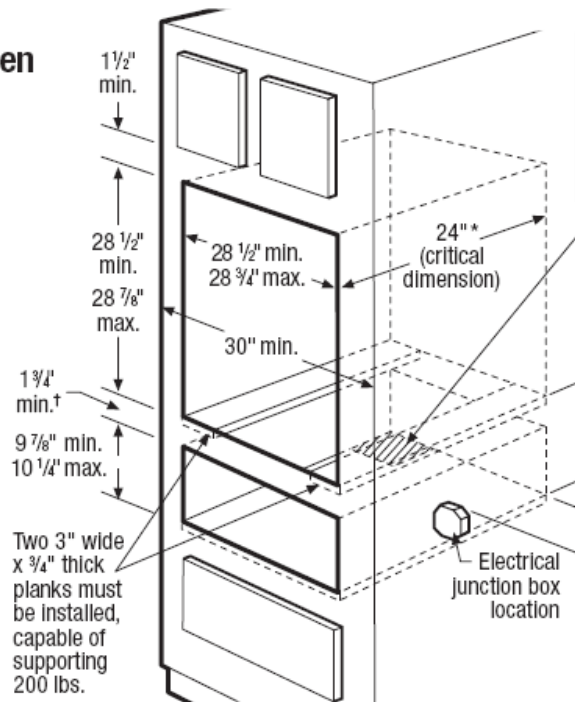
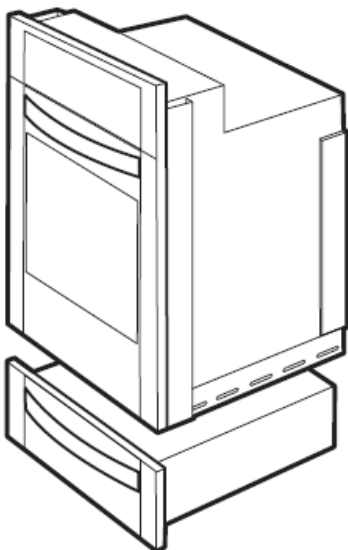


Dimensions

Drawer Model	A	B
E30WD75GPS	26"	11 1/4"
E30WD75GSS	25 1/4"	11 1/4"
E30WD75GTT*	–	10 3/4"

*30" Panel-Ready Warmer Drawer is designed to accept custom front panel. Refer to Custom Panel Specifications below.

Warmer Drawer / Single Wall Oven Combination Installation



Product installation drawing shown with designer series handle.

*Critical dimension – MUST be applied

**Electrical junction box for Wall Oven must be lower than the Warmer Drawer cutout

† Maximum height depends on critical dimension (11 5/8")

Two 3" wide x 3/4" thick planks must be installed, capable of supporting 200 lbs.